



We cover the whole of the UK with our iWalkers, offering the latest technology in audience measurement .

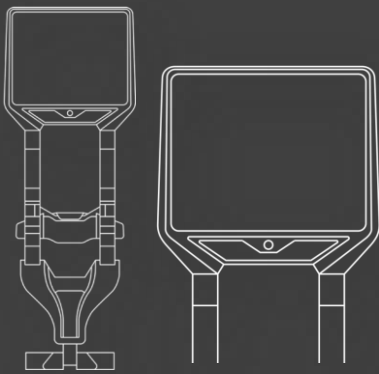


iWalker Specification

Dimensions:
1280 x 1024px

Aspect ratio:
5:4

Image format:
PNG, JPEG, MP4



AUDIENCE MEASUREMENT

We use facial detection as standard on every campaign, which tells you how many people view your content, how long they have looked, their age profile and gender.



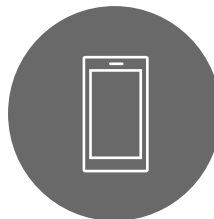
BETTER FOR THE PLANET

We take our environmental responsibilities seriously, so we are proud to be offsetting all our carbon emissions through *Make it Wild*.



CONSTANT COMMUNICATION

We keep you updated every step of the way. When you work with us, you will be added to a WhatsApp group, so you can see the activity live as it happens.



Our iWalkers move with your audience, finding them at the **right time**, with **the right message**, in the **right place**. The Brand Ambassadors become an extension of your team, sharing your messaging adding a promotional element to your activity.

